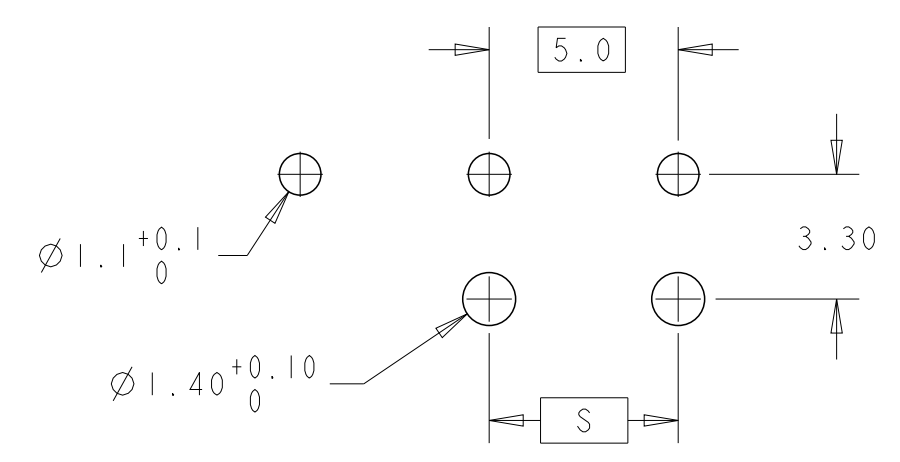
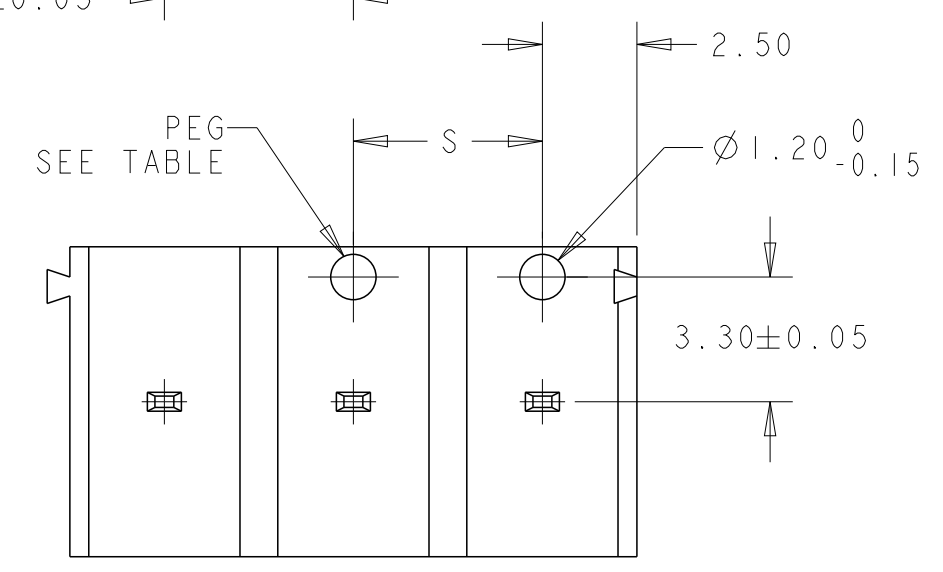
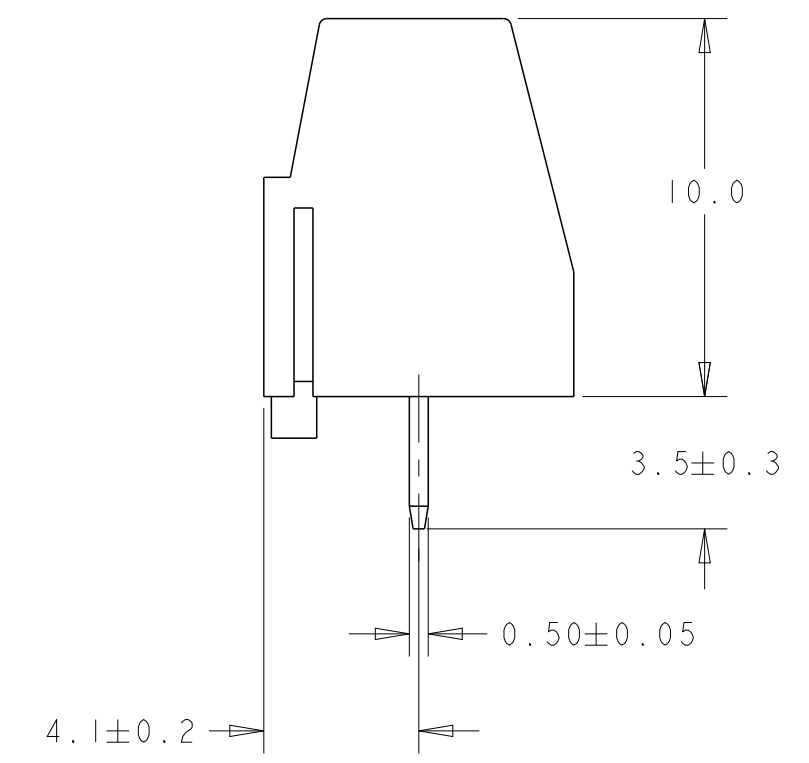
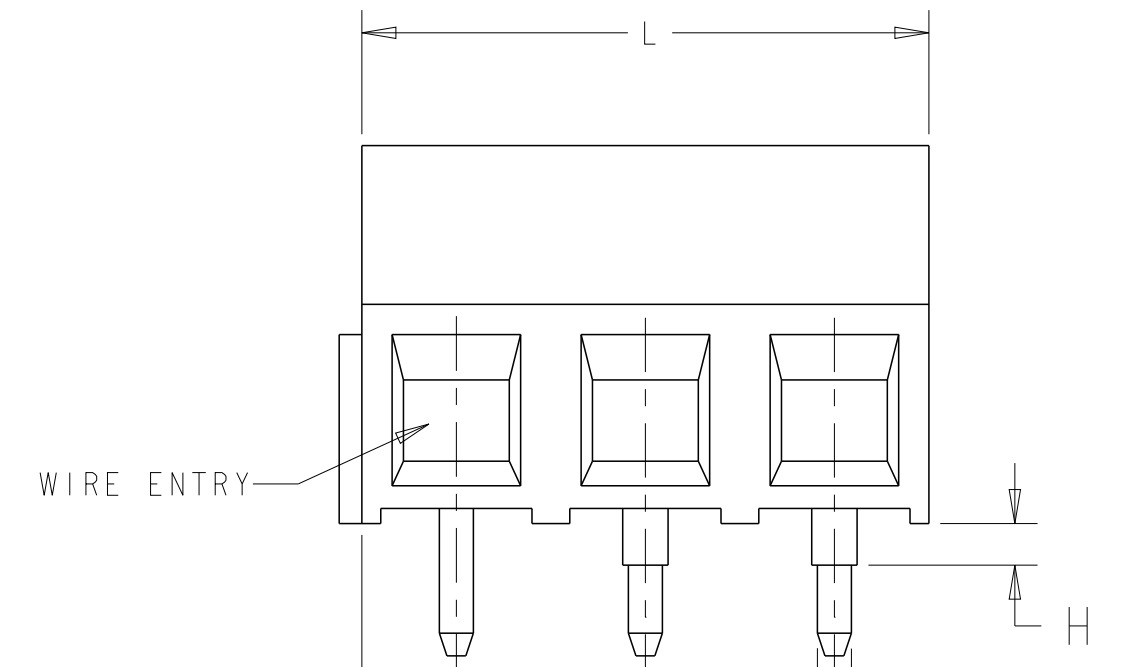
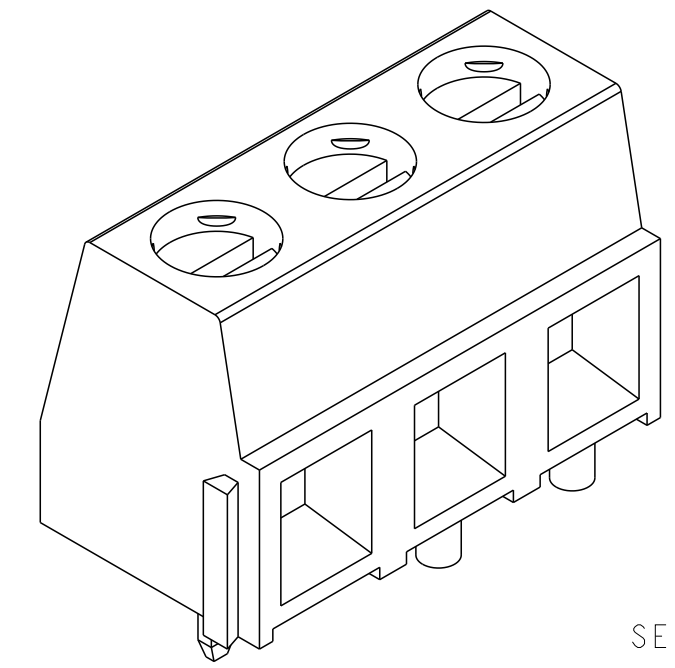
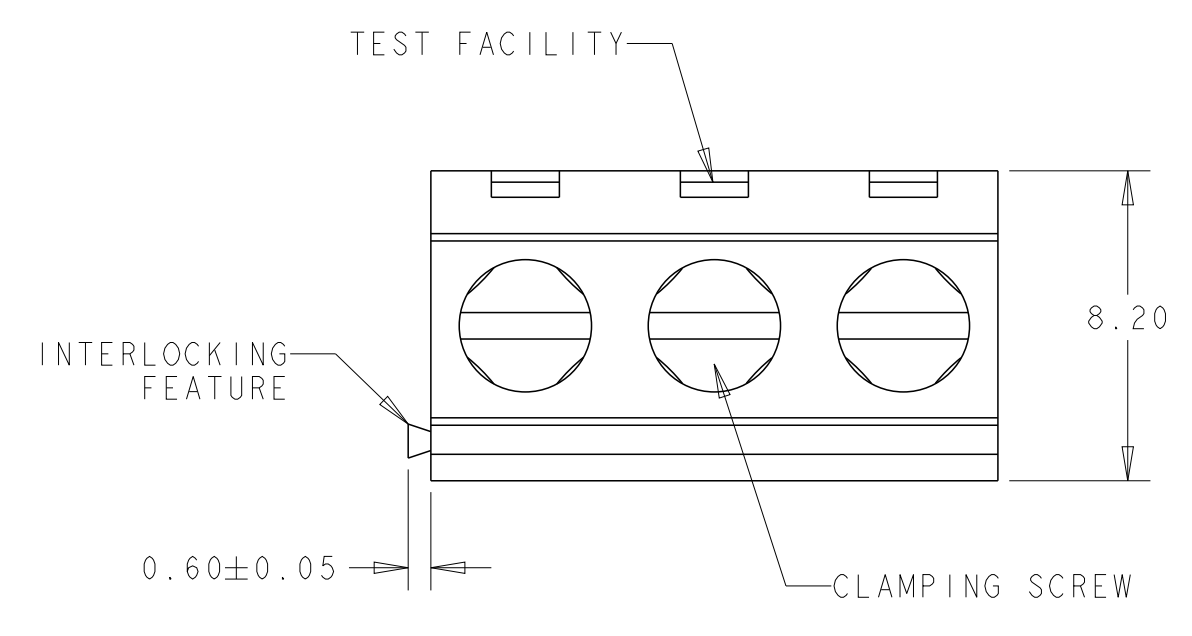


THIS DRAWING IS UNPUBLISHED. RELEASED FOR PUBLICATION 20  
 © COPYRIGHT 20 BY - ALL RIGHTS RESERVED.

| REVISIONS |     |                           |           |     |      |
|-----------|-----|---------------------------|-----------|-----|------|
| P         | LTR | DESCRIPTION               | DATE      | DWN | APVD |
|           | H10 | REVISED PER ECO-14-018223 | 10DEC2014 | NK  | MM   |



RECOMMENDED PC BOARD LAYOUT

| QTY | S   | H   | MARKING     | L   | NO OF POSN | PART NUMBER |
|-----|-----|-----|-------------|-----|------------|-------------|
| -   | -   | -   | SEE SHEET 2 | 10  | 2          | 3-1986874-2 |
| -   | -   | -   | SEE SHEET 2 | 55  | 11         | 1-1986874-1 |
| -   | -   | -   | SEE SHEET 2 | 10  | 2          | 1986874-2   |
| 1   | N/A | 3.5 | -           | 35  | 7          | 3-282836-7  |
| 1   | N/A | 3.5 | SEE SHEET 2 | 15  | 3          | 3-282836-5  |
| 1   | N/A | 3.5 | -           | 30  | 6          | 3-282836-4  |
| 1   | N/A | 3.5 | -           | 25  | 5          | 3-282836-3  |
| 1   | N/A | 3.5 | -           | 20  | 4          | 3-282836-2  |
| 1   | N/A | 3.5 | -           | 10  | 2          | 3-282836-1  |
| 1   | N/A | 3.5 | -           | 40  | 8          | 3-282836-0  |
| 1   | N/A | 3.5 | -           | 45  | 9          | 2-282836-8  |
| 0   | N/A | N/A | SEE SHEET 2 | 30  | 6          | 2-282836-7  |
| 0   | N/A | N/A | -           | 125 | 25         | 2-282836-6  |
| 0   | N/A | N/A | -           | 120 | 24         | 2-282836-5  |
| 0   | N/A | N/A | -           | 115 | 23         | 2-282836-4  |
| 0   | N/A | N/A | -           | 110 | 22         | 2-282836-3  |
| 0   | N/A | N/A | -           | 105 | 21         | 2-282836-2  |
| 0   | N/A | N/A | -           | 100 | 20         | 2-282836-1  |
| 0   | N/A | N/A | -           | 95  | 19         | 2-282836-0  |
| 0   | N/A | N/A | -           | 90  | 18         | 1-282836-9  |
| 0   | N/A | N/A | -           | 85  | 17         | 1-282836-8  |
| 0   | N/A | N/A | -           | 80  | 16         | 1-282836-7  |
| 0   | N/A | N/A | -           | 75  | 15         | 1-282836-6  |
| 0   | N/A | N/A | -           | 70  | 14         | 1-282836-5  |
| 0   | N/A | N/A | -           | 65  | 13         | 1-282836-4  |
| 0   | N/A | N/A | SEE SHEET 2 | 10  | 2          | 1-282836-3  |
| 0   | N/A | N/A | -           | 60  | 12         | 1-282836-2  |
| 0   | N/A | N/A | -           | 55  | 11         | 1-282836-1  |
| 0   | N/A | N/A | -           | 50  | 10         | 1-282836-0  |
| 0   | N/A | N/A | -           | 45  | 9          | 282836-9    |
| 0   | N/A | N/A | -           | 40  | 8          | 282836-8    |
| 0   | N/A | N/A | -           | 35  | 7          | 282836-7    |
| 0   | N/A | N/A | -           | 30  | 6          | 282836-6    |
| 0   | N/A | N/A | -           | 25  | 5          | 282836-5    |
| 0   | N/A | N/A | -           | 20  | 4          | 282836-4    |
| 0   | N/A | N/A | -           | 15  | 3          | 282836-3    |
| 0   | N/A | N/A | -           | 10  | 2          | 282836-2    |
| 2   | 5.0 | 1.1 | -           | 10  | 2          | 282836-1    |

THIS DRAWING IS A CONTROLLED DOCUMENT.

DIMENSIONS: mm

TOLERANCES UNLESS OTHERWISE SPECIFIED:

|        |         |
|--------|---------|
| 0 PLC  | ±       |
| 1 PLC  | ±0.2    |
| 2 PLC  | ±0.15   |
| 3 PLC  | ±0.000  |
| 4 PLC  | ±0.0000 |
| ANGLES | ±2°     |
| FINISH | -       |

MATERIAL: 1

APPROVALS:

|      |            |           |
|------|------------|-----------|
| DWN  | S. WELDON  | 28SEP2007 |
| CHK  | C. RICHARD | 28SEP2007 |
| APVD | C. RICHARD | 28SEP2007 |

PRODUCT SPEC: -

APPLICATION SPEC: -

WEIGHT: -

Customer Drawing

NAME: STE TE Connectivity

TERMINAL BLOCK, PCB MOUNT, SIDE WIRE ENTRY, STACKING WITH INTERLOCK, 5.00mm PITCH

SIZE: A2

CAGE CODE: 00779

DRAWING NO: C-282836

RESTRICTED TO: -

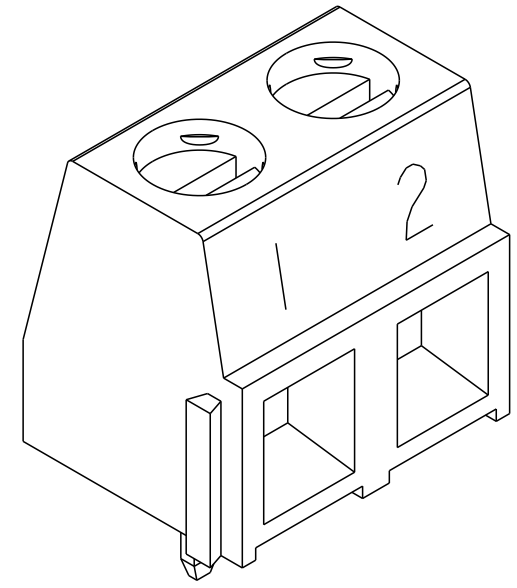
SCALE: 4:1

SHEET: 1 OF 3

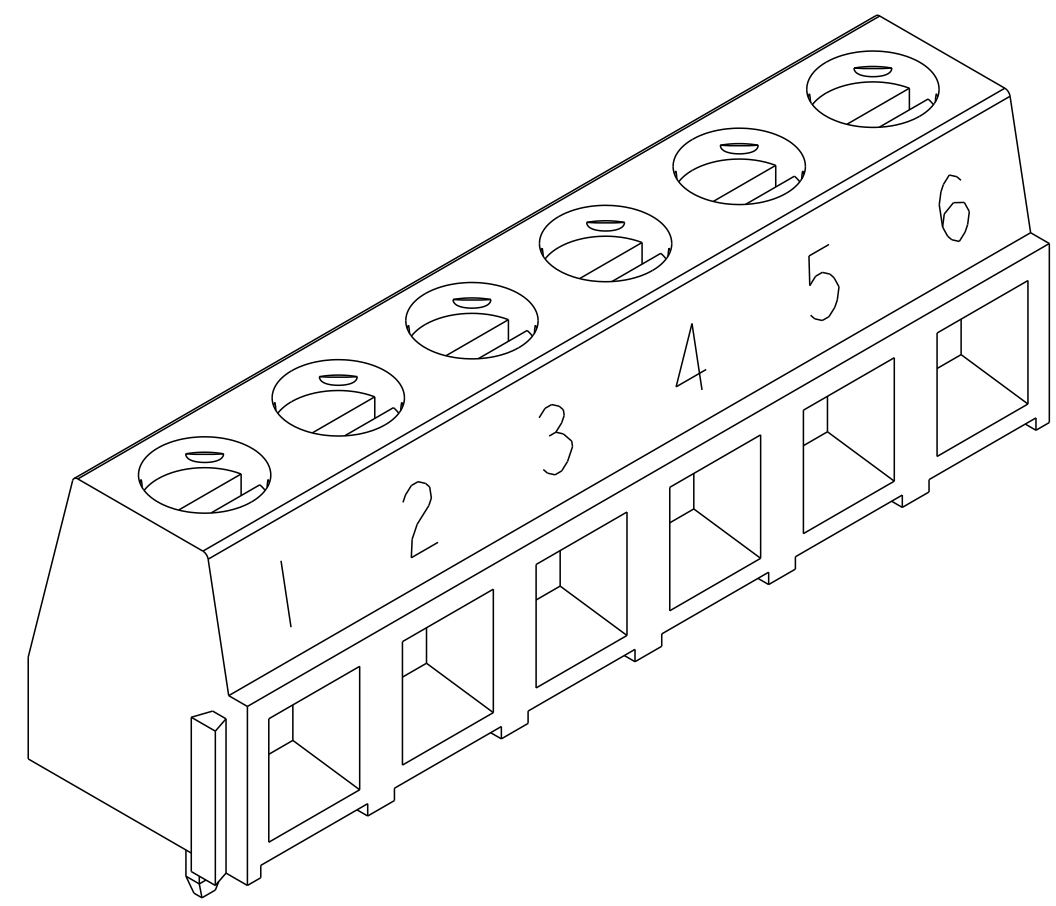
REV: H10

THIS DRAWING IS UNPUBLISHED. RELEASED FOR PUBLICATION 20  
 © COPYRIGHT 20 BY - ALL RIGHTS RESERVED.

| REVISIONS |     |             |      |      |
|-----------|-----|-------------|------|------|
| P         | LTR | DESCRIPTION | DATE | APVD |
| -         | -   | SEE SHEET 1 | -    | -    |
|           |     |             |      |      |
|           |     |             |      |      |

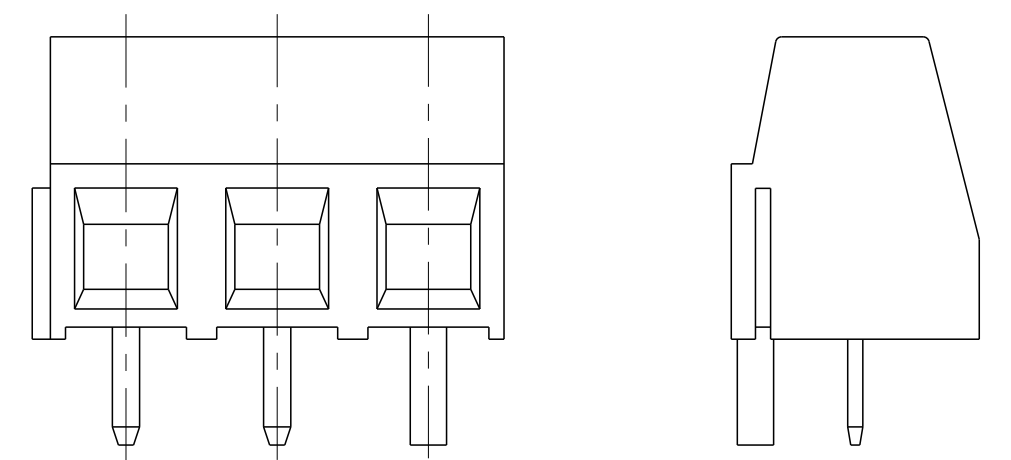
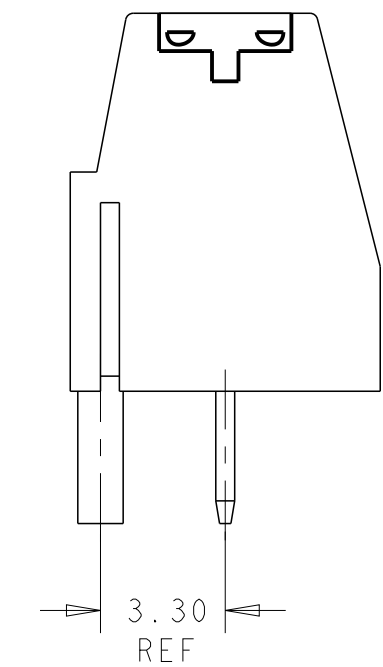
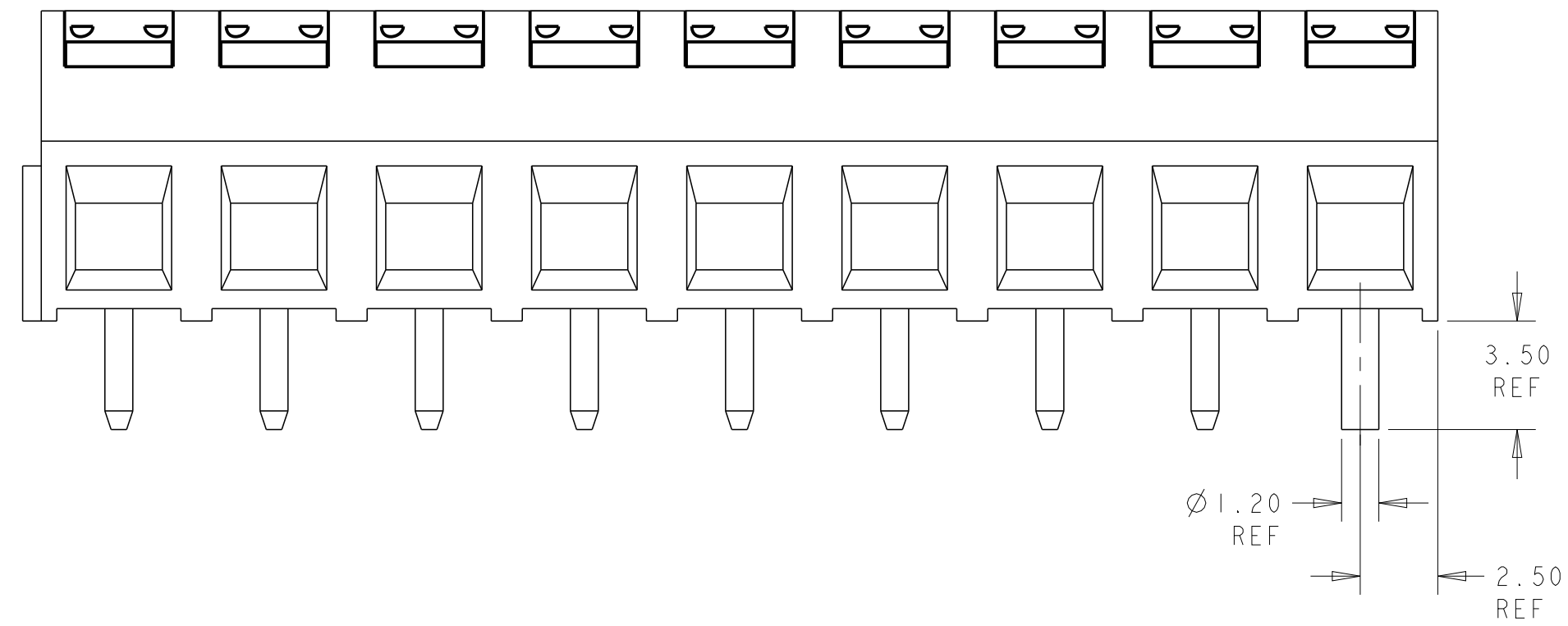


1-282836-3 AS SHOWN

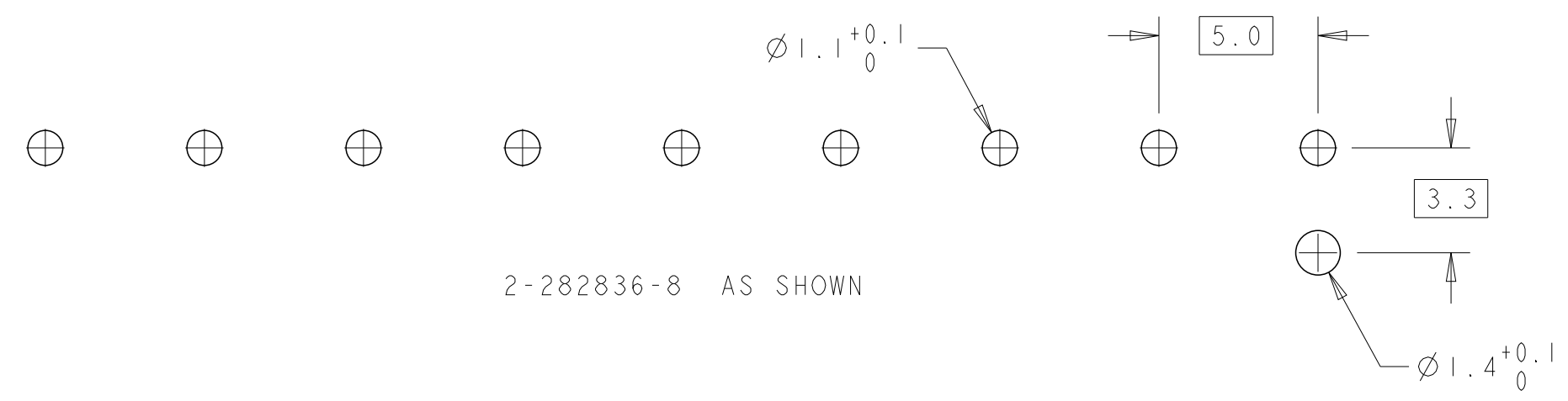


2-282836-7 AS SHOWN

- 1 MATERIAL AND FINISH  
 HOUSING: PA 6-6, U; 94V-0 RATED, COLOR: GREEN.  
 CLAMP: BRASS, NICKEL PLATED.  
 TERMINAL: BRASS, TIN PLATED.  
 CLAMPING SCREW: M3, BRASS, NICKEL PLATED.
- 2 SUITABLE FOR 1.6-2.4mm PCB BOARD THICKNESS.
- 3 END-TO-END STACKABLE W/INTERLOCK WITHOUT LOSS OF CENTERLINE SPACING.
- 4 WIRE SIZE RANGE: 16-30 AWG
- 5 RECOGNIZED UNDER THE COMPONENT PROGRAM OF UNDERWRITERS LABORATORIES INC. FILE No E60677.
- 6 IMQ CERTIFICATE WITH SURVEILLANCE IN CONFORMITY WITH IEC 998-1/998-1-1.
- 7 NOT CUMULATIVE TOLERANCE.
- 8 INK MARKING, WHITE COLOR, UNLESS OTHERWISE SPECIFIED. NUMERICAL SEQUENCE FROM LEFT TO RIGHT, UNLESS OTHERWISE SPECIFIED.
- 9 INK MARKING, BLACK COLOR



3-282836-5 AS SHOWN

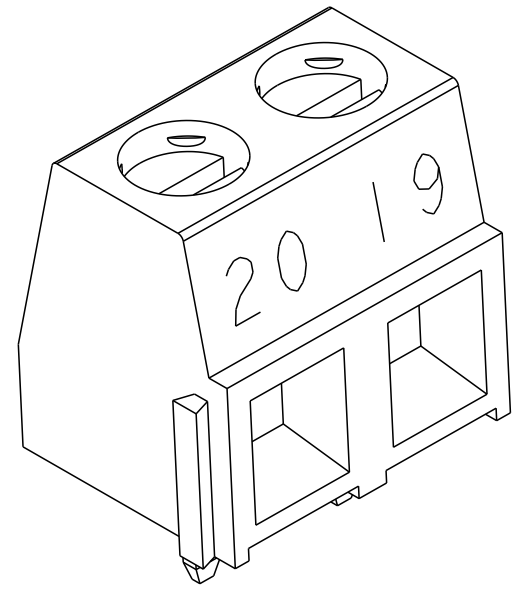


2-282836-8 AS SHOWN

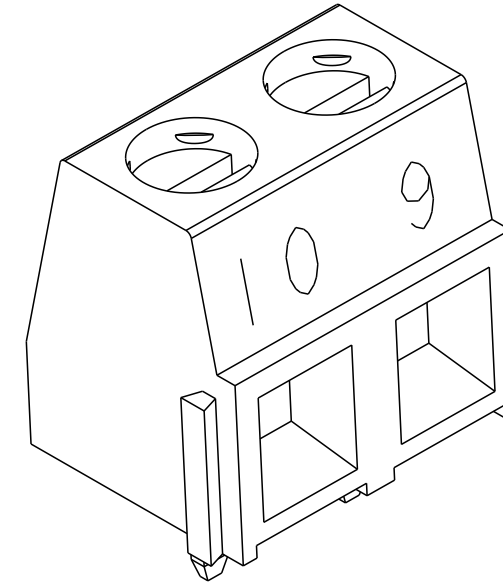
|  |              |                           |   |               |
|--|--------------|---------------------------|---|---------------|
| THIS DRAWING IS A CONTROLLED DOCUMENT. |              | DWN S. WELDON 28SEP2007   | TE Connectivity   |               |
| DIMENSIONS: mm                         |              | CHK C. RICHARD 28SEP2007  |   |               |
| TOLERANCES UNLESS OTHERWISE SPECIFIED: |              | APVD C. RICHARD 28SEP2007 | NAME  |               |
| 0 PLC ±                                | 1 PLC ±0.2   | PRODUCT SPEC              | TERMINAL BLOCK, PCB MOUNT, SIDE WIRE ENTRY, STACKING WITH INTERLOCK, 5.00mm PITCH |               |
| 2 PLC ±0.15                            | 3 PLC ±0.000 | APPLICATION SPEC          | SIZE  | RESTRICTED TO |
| 4 PLC ±0.000                           | ANGLES ±     | FINISH                    | A200779   | C-282836      |
| MATERIAL                               |              | WEIGHT                    | Customer Drawing  |               |
|  |              |                           | SCALE 5:1   | SHEET 2 OF 3  |
|  |              |                           |   | REV H10       |

THIS DRAWING IS UNPUBLISHED. RELEASED FOR PUBLICATION 20  
 © COPYRIGHT 20 BY - ALL RIGHTS RESERVED.

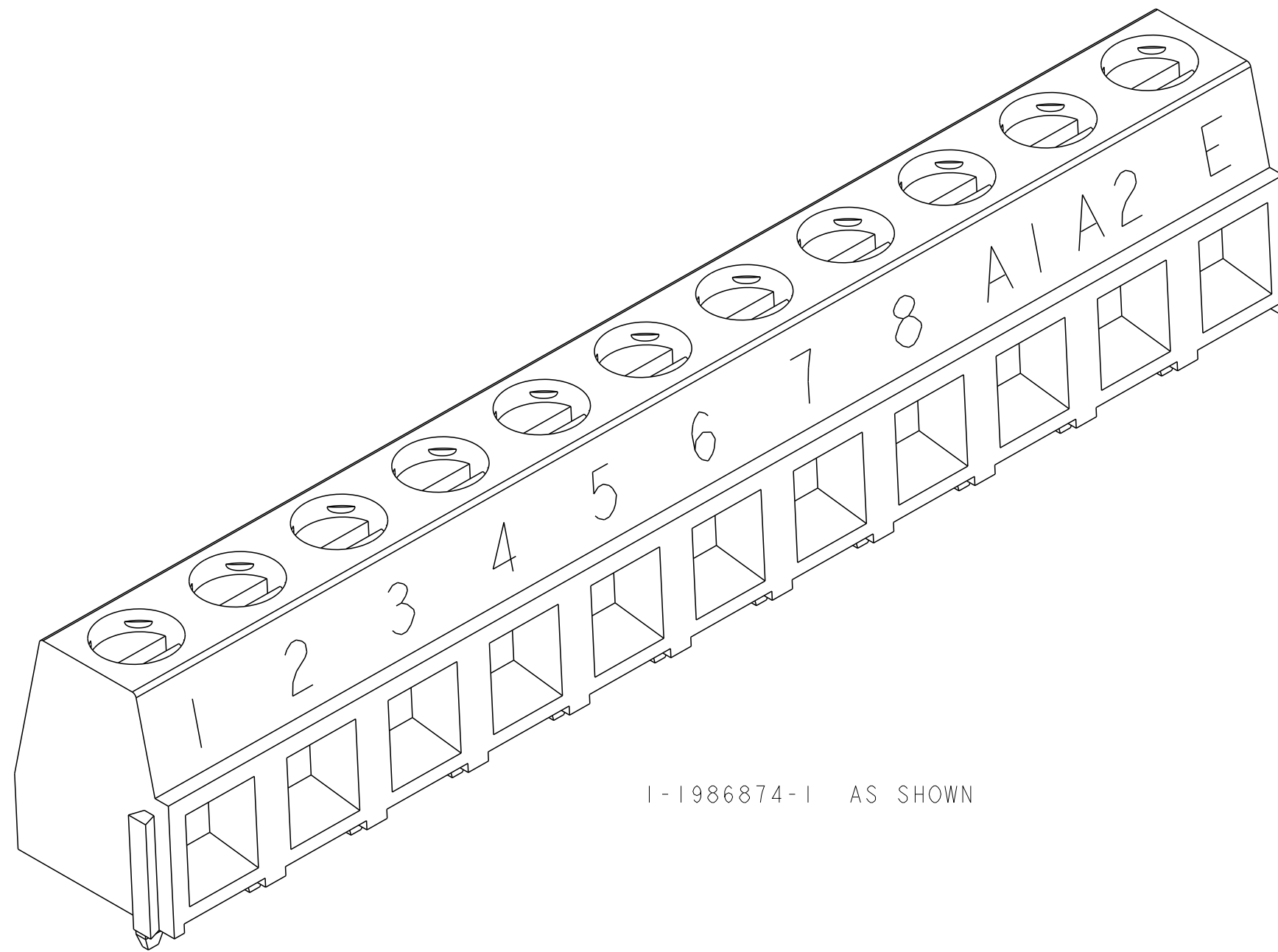
| REVISIONS |     |             |      |      |
|-----------|-----|-------------|------|------|
| P         | LTR | DESCRIPTION | DATE | APVD |
| -         |     | SEE SHEET 1 | -    | -    |
|           |     |             |      |      |
|           |     |             |      |      |




3-1986874-2 AS SHOWN



1986874-2 AS SHOWN



1-1986874-1 AS SHOWN

|  |  |                                 |   |                       |
|--|--|---------------------------------|---|-----------------------|
| THIS DRAWING IS A CONTROLLED DOCUMENT.   |  | DWN<br>S. WELDON<br>28SEP2007   |  TE Connectivity |                       |
| DIMENSIONS:<br>mm  |  | CHK<br>C. RICHARD<br>28SEP2007  |   |                       |
| TOLERANCES UNLESS OTHERWISE SPECIFIED:   |  | APVD<br>C. RICHARD<br>28SEP2007 | NAME<br>TERMINAL BLOCK, PCB MOUNT,<br>SIDE WIRE ENTRY, STACKING<br>WITH INTERLOCK, 5.00mm PITCH       |                       |
| 0 PLC ±<br>1 PLC ±0.2<br>2 PLC ±0.15<br>3 PLC ±0.000<br>4 PLC ±0.000<br>ANGLES ±<br>FINISH |  | PRODUCT SPEC<br>-               | SIZE<br>A200779   | CAGE CODE<br>C-282836 |
| MATERIAL   |  | APPLICATION SPEC<br>-           | WEIGHT<br>-   | RESTRICTED TO<br>-    |
| Customer Drawing   |  |                                 | SCALE<br>5:1  | SHEET<br>3 OF 3       |
|  |  |                                 | REV<br>H10  |                       |